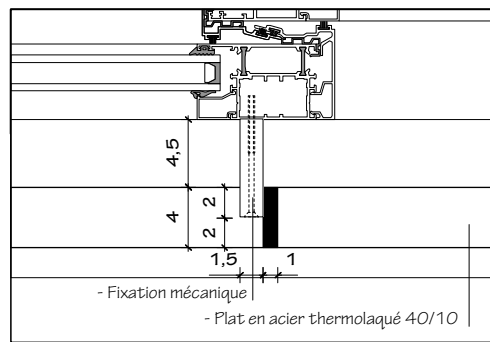
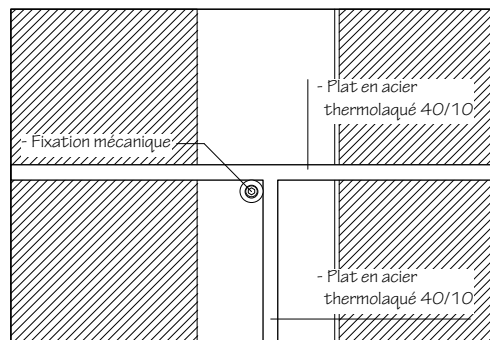


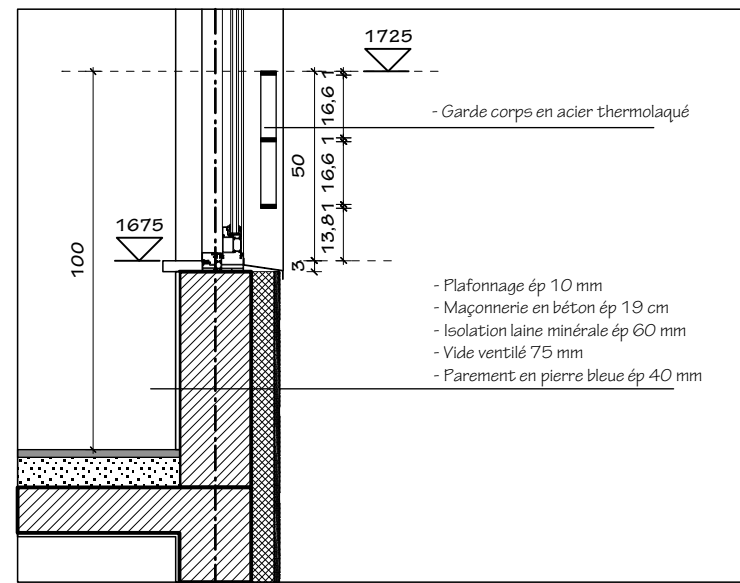
DETAIL 1 Ech. 1/5



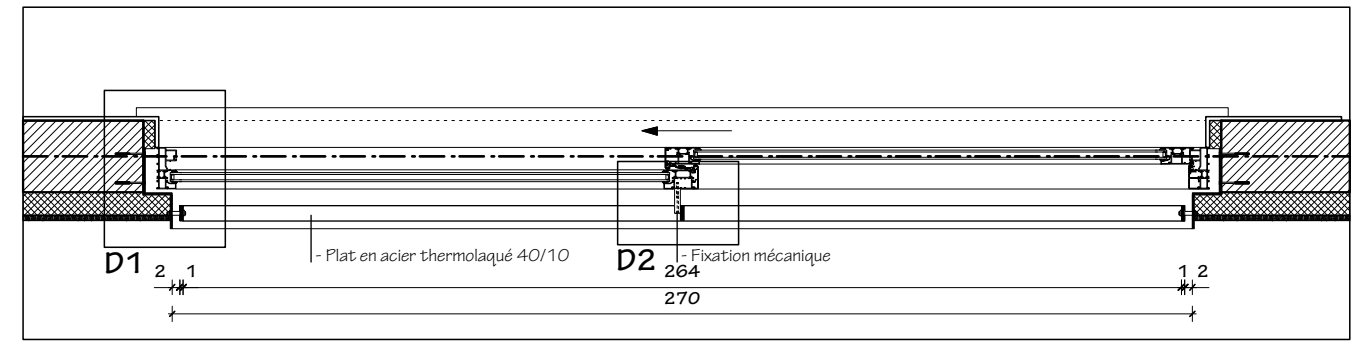
DETAIL 2 Ech. 1/5



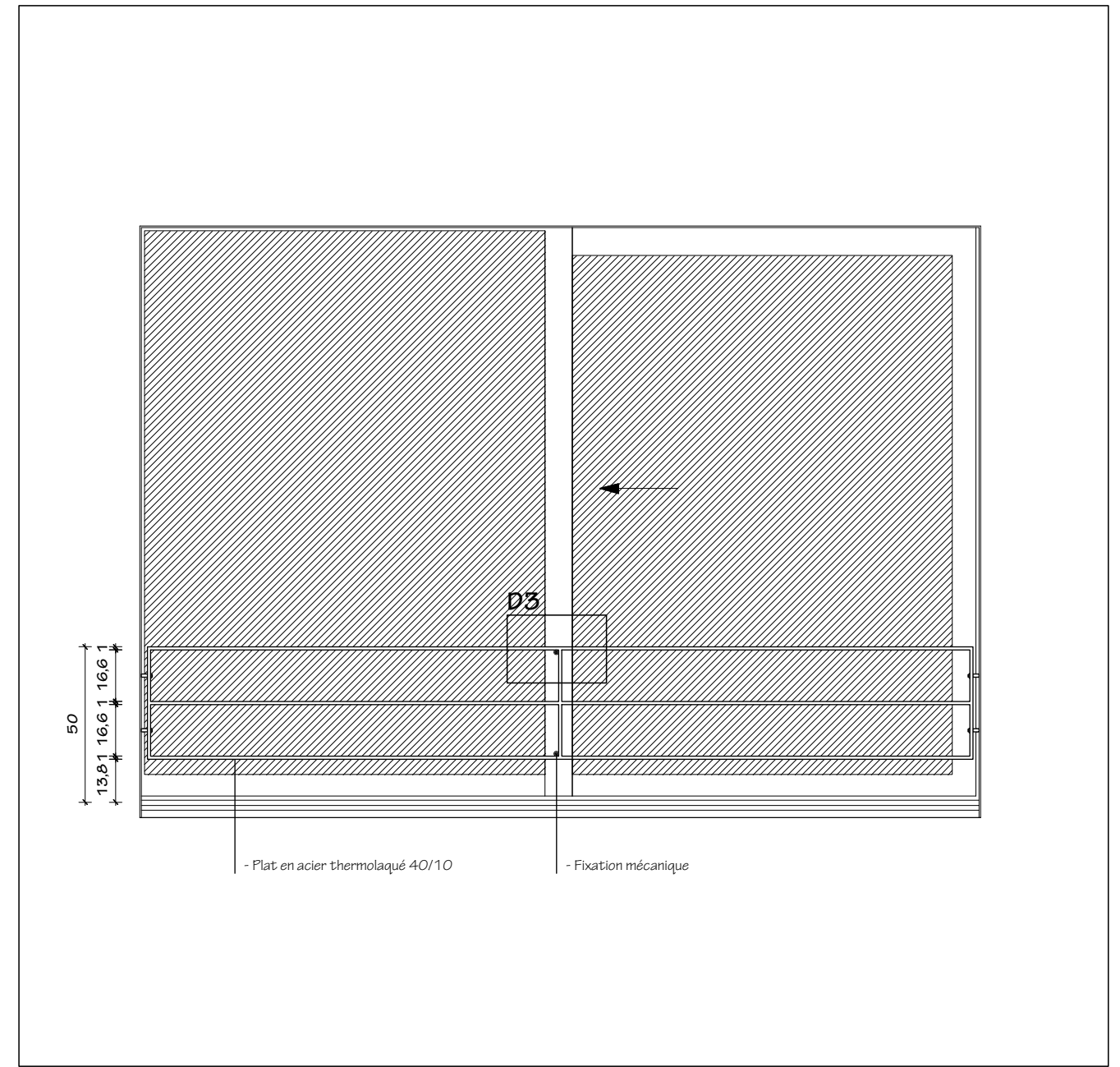
DETAIL 3 Ech. 1/5



COUPE Ech.:1/20



VUE EN PLAN Ech.:1/20



ELEVATION Ech.:1/20